

NTX & NTX-F

Tried and tested technology and quality in a new design



Handles

- Ergonomically formed handles for working efficiently without fatigue
- Improved haptics by use of softer material
- Non-slip even in oily environments
- Environmentally compatible thanks to PVC-free handles
- Visually upgraded by GESIPA® logo and contrast stripes
- Optimised locking clip

Housing

- Improved performance thanks to newly designed housing
- Powder-coated abrasion-resistant housing surface in GESIPA® colour
- GESIPA NTX visually upgraded with Made in Germany lettering

Advantages

- Simple one-hand operation
- Effortless lever system
- Specially hardened GESIPA® jaw system
- Rugged design and durable
- Equipped with the most commonly used GESIPA® nosepieces secured directly on the tool
- Nosepieces quick and easy to change
- Worldwide service and spare parts available for decades to come
- Made in Germany

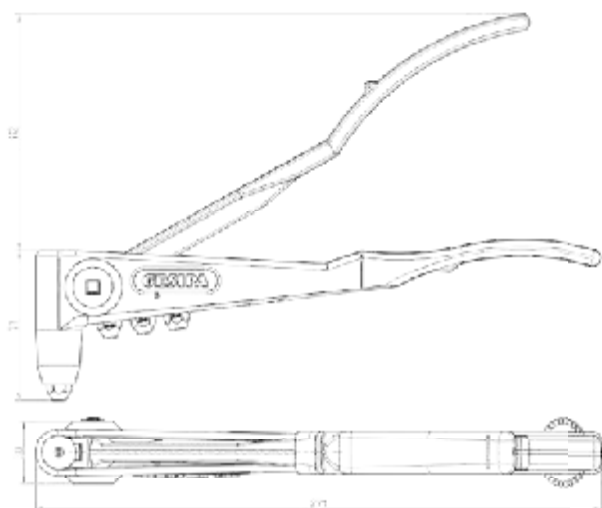


Blind rivet hand tools

NTS (with self opening spring)



Part no. 143 4028



Dimensions in mm

Working range

Blind rivets up to 5 mm Ø aluminium
and 4 mm Ø steel and stainless steel

Technical data

Weight:	480 g
Total length:	275 mm
Stroke:	8 mm

Accessories

Nosepieces: 10/18, 10/24, 10/27 and 10/32
1 maintenance wrench, operating instructions with
spare parts list

Advantages

- Body casing in high-quality die cast aluminium
- Body head made of forged steel
- Narrow head for difficult to access rivet locations
- Opening spring for automatic ejection of the mandrel
- Ergonomic handles

Jaws (2-parts)

For NTS, NTX, NTX-F and Flipper®

Part no. 143 4071

**Nosepiece assignment for NTS, NTX
and NTX-F can be found on page 87.**

Blind rivet hand tools

NTX & NTX-F

Working range

Blind rivets up to 5 mm Ø aluminium
and 4 mm Ø steel and stainless steel

Technical data

Weight:	575 g
Total length:	260 mm
Stroke:	8 mm

Advantages

- Body casing in high-quality die cast aluminium
- Body head made of chrome-vanadium steel, forged
- Steel inserts on all bearing points subject to wear
- Intermediate lever system reduces the force required and dampens the tear-off effect
- Narrow pliers head for difficult to access rivet locations
- Ergonomic slip handles
- Simple maintenance – fast jaw change

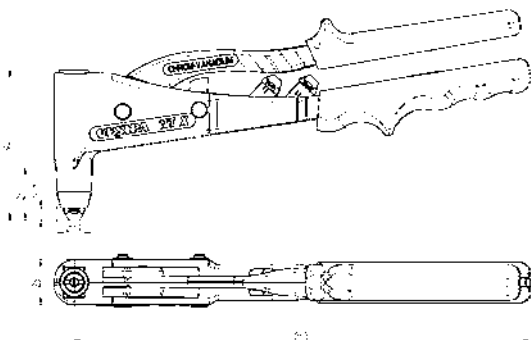
NTX



Part no. 143 4040

Accessories NTX

Nosepieces: 10/18, 10/24 and 10/32
1 maintenance wrench, operating instructions
with spare parts list



Dimensions in mm

NTX-F

(with self opening spring)



Part no. 143 4042

Accessories NTX-F

Nosepieces: 10/24, 10/27 and 10/32
1 maintenance wrench, operating instructions
with spare parts list

Additional advantage NTX-F

- Opening spring for automatic ejection of the mandrel

Flipper®

The blind rivet hand tool for easy handling with only one hand.

Working range

Blind rivets up to 5 mm Ø aluminium and 4 mm Ø steel and stainless steel

Technical data

Weight:	750 g
Total length:	221 mm
Total stroke:	16.2 mm
Single action stroke:	1.8 mm

Nosepieces/accessories

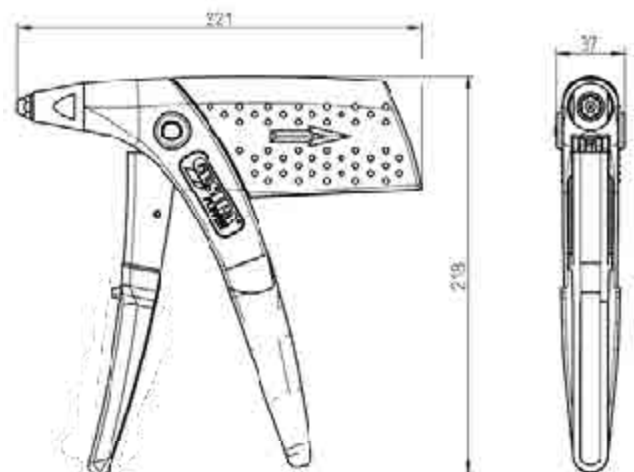
Nosepieces: 10/18, 10/24 and 10/29
1 maintenance wrench (on magazine)
Operating instructions with spare parts list

Advantages

- The force increases when the handle is closed. This is made use of via the special arrangement of the lever when setting blind rivets: ergonomic design
- The required manual force is reduced by around 40 percent if actuated several times.
- Actuation lever with an opening spring for easy single-handed operation
- Jaw mechanism with spring reset for safe and automatic mandrel ejection
- Rivet mandrel collection container can be clipped to the body casing and is easy to empty
- Larger device lift: a benefit when handling extra long blind rivets
- Sturdy body casing in high-quality die cast aluminium
- Sturdy actuation lever made of tempered steel
- Link pin on anti-twist bearings
- Ergonomic lever positions and handle design



Part no. 143 3950



Dimensions in mm

Conversion kit for plastic blind rivets:

Part no. 143 3984



Nosepiece assignment for Flipper® can be found on page 87.

Blind rivet hand tools – sortiment



Part no. 143 5457

Riveting kit

Contents

Blind rivet hand tool **NTX**
and **12 blind rivet sizes**,
1 maintenance wrench.
Weight: approx. 3.75 kg
Dimensions: 340 x 205 x 40 mm

Incl. 12 blind rivet sizes

Alu/steel	3.0 x 8.0 mm
Alu/steel	3.0 x 10.0 mm
Alu/steel	3.0 x 12.0 mm
Alu/steel	4.0 x 5.0 mm
Alu/steel	4.0 x 6.0 mm
Alu/steel	4.0 x 8.0 mm
Alu/steel	4.0 x 10.0 mm
Alu/steel	4.0 x 12.0 mm
Copper/steel	3.0 x 6.0 mm
Copper/steel	4.0 x 6.0 mm
Alu/steel	3.0 x 5.0 mm
Alu/steel	3.0 x 7.0 mm



Junior riveting kit

Contents

Blind rivet hand tool **NTX**
and **5 blind rivet sizes**,
1 maintenance wrench.
Weight: approx. 2.5 kg
Dimensions:
275 x 145 x 40 mm

Incl. 5 blind rivet sizes

Alu/steel	3.0 x 6.0 mm
Alu/steel	3.0 x 8.0 mm
Alu/steel	4.0 x 6.0 mm
Alu/steel	4.0 x 10.0 mm
Steel/steel	3.0 x 6.0 mm



Now also available as **Junior riveting kit PolyGrip® (Part no. 145 7662)** with the sizes 3.2 x 8, 4 x 10, 4 x 17, 4.8 x 10 and 4.8 x 17.

Junior riveting kit
Part no. 143 5459

Junior riveting kit PolyGrip®
Part no. 145 7662



Flipper® box

Contents

Blind rivet hand tool
Flipper® and **3 PolyGrip®**
blind rivet sizes, in a
lightweight plastic carrying case.
Weight: approx. 0.9 kg
Dimensions: 220 x 200 x 40 mm

Incl. 3 blind rivet sizes

PolyGrip® Alu/steel	3.2 x 8.0 mm
PolyGrip® Alu/steel	4.0 x 10.0 mm
PolyGrip® Alu/steel	4.8 x 10.0 mm

Part no. 143 3951

**Mini pack refills can be
found on page 292.**

Combi setting tool Flipper® Plus



Converted in under 1 minute in just a few simple steps

1. Removal

Remove the parts shown in the image



2. Installation

Install the threaded mandrel and nosepiece



3. Converted

Converted to a blind rivet nut setting tool



One setting tool – two functions

NEW

Virtually tool-free conversion from blind rivet to blind rivet nut setting tool

Working range blind rivets

Blind rivets up to 5 mm Ø aluminium and 4 mm Ø steel and stainless steel

Working range blind rivet nuts

Blind rivet nuts from M4 up to M6 aluminium as well as from M4 up to M5 steel

Technical data

Weight:	750 g
Total length:	217 mm
Total stroke:	16.2 mm
Single action stroke:	1.8 mm

Accessories

Nosepieces: 12/20, 12/24, 12/29, 12/M4, 12/M5 and 12/M6

Threaded mandrel conversion kit: M4, M5 and M6

1 maintenance wrench, 1 Allen key

1 jaw insertion aid

Operating instructions with spare parts list

Shared advantages

- New ratchet function
- The force increases when the handle is closed. This finding is put to good use in a special lever arrangement for setting blind rivets and blind rivet nuts: ergonomic design
- The required manual force is reduced by around 40 percent if actuated several times.
- Actuation lever with an opening spring for easy single-handed operation

Advantages when setting blind rivets

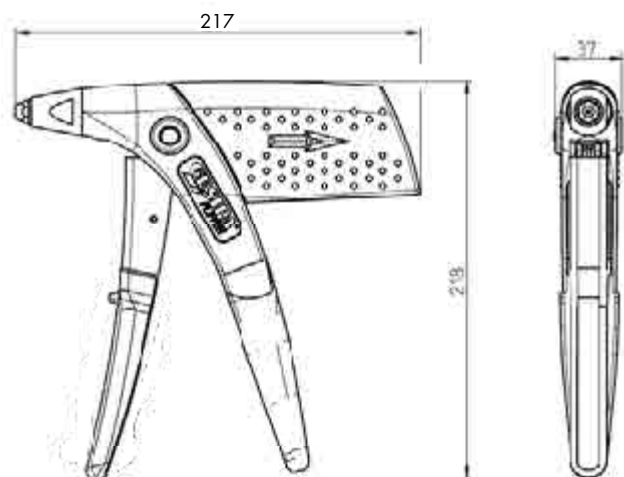
- Jaw mechanism with spring reset for safe and automatic mandrel ejection
- Rivet mandrel collection container can be clipped to the body casing and is easy to empty
- Larger device lift: a benefit when handling extra long blind rivets

Advantages when setting blind rivet nuts

- The total stroke is 16.2 millimeter long for setting of new generation multigrip blind rivet nuts like the GESIPA® PolyGrip® blind rivet nuts
- Simplified setting procedure for blind rivet nuts



Art.-Nr. 157 1258



Dimensions in mm