

PH 1

Hydro-pneumatic blind rivet setting tool

Part no. 145 6766

Working range

Blind rivets up to 4 mm Ø all materials.

Not suitable for stainless steel

CAP® blind rivets.

Technical data

| | |
|-------------------------|---|
| Weight: | 1.2 kg |
| Operating air pressure: | 5 - 7 bar |
| Air hose connection: | 6 mm Ø (1/4") |
| Air consumption: | 0.8-1.2 ltr. per rivet (0.2 ltr. compr. air) |
| Traction power: | 6,200 N at 6 bar |
| Stroke: | 15 mm |

Nosepieces/accessories

Nosepieces: 16/18, 16/24, 16/27 and 16/29

1 set of jaws, 1 spent mandrel bottle,

1 wrench each of MSU and MSZ,

Maintenance instructions with spare parts list

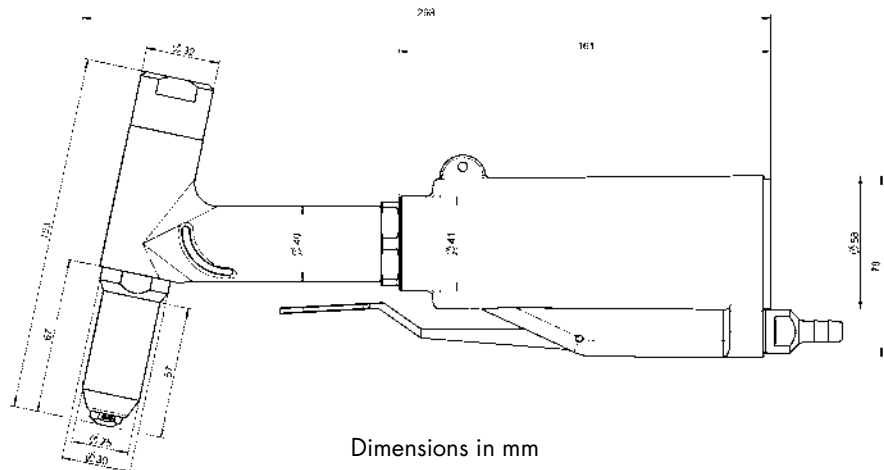
Jaws (2 parts) for PH 1

Part no. 143 4071



Features

- Hydraulic head in aluminium with wear-proof cylinder surface
- Pneumatic cylinder made of die cast aluminium
- The piston made of hardened and hard chromium plated steel make the device easy to handle and wear-proof
- Compact seals are wear-proof for a long service life
- Fast venting valve for fast return and high working sequence
- Low-noise pneumatic switching
- Simple, low-interruption valve design
- Hydraulic head can be adjusted by 360°
- Favourable centre of gravity and handle design for fatigue-free handling



PH 2

Hydro-pneumatic blind rivet setting tool

Part no. 145 6771



Working range

Blind rivets from 3 up to 5 mm Ø all materials and blind rivets with 2.4 mm up to 3.2 mm Ø with small jaws (page 155).

Not suitable for stainless steel **CAP® blind rivets**.

Technical data

| | |
|-------------------------|---|
| Weight: | 1.3 kg |
| Operating air pressure: | 5 - 7 bar |
| Air hose connection: | 6 mm Ø (1/4") |
| Air consumption: | 1.2 - 1.8 ltr. per rivet (0.3 ltr. compr. air) |
| Traction power: | 8.800 N at 6 bar |
| Stroke: | 15 mm |

Equipment

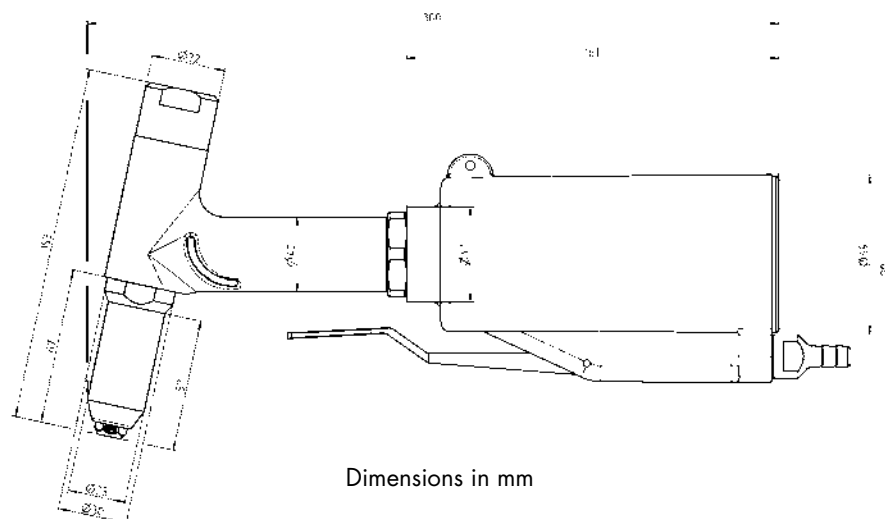
Nosepieces: 16/24, 16/27, 16/29, 16/32 and 16/36
1 set of jaws, 1 spent mandrel bottle,
1 wrench each of MSU and MSZ,
Maintenance instructions with spare parts list

Jaws (3 parts) for PH 2 and PH 2000

Part no. 143 4103

Features

- Hydraulic head made of aluminium with wear-proof cylinder surface
- Pneumatic cylinder made of die cast aluminium
- Pistons: Steel hardened and chrome-plated – smooth operation and wear-proof
- Compact seals are wear-proof for a long service life
- Fast venting valve for fast return and high working sequence
- Low-noise pneumatic switching
- Simple, low-interruption valve design
- Hydraulic head can be adjusted by 360°
- Favourable centre of gravity and handle design for fatigue-free handling



Dimensions in mm

PH 2000

Hydro-pneumatic blind rivet setting tool

Part no. 145 6724

Working range

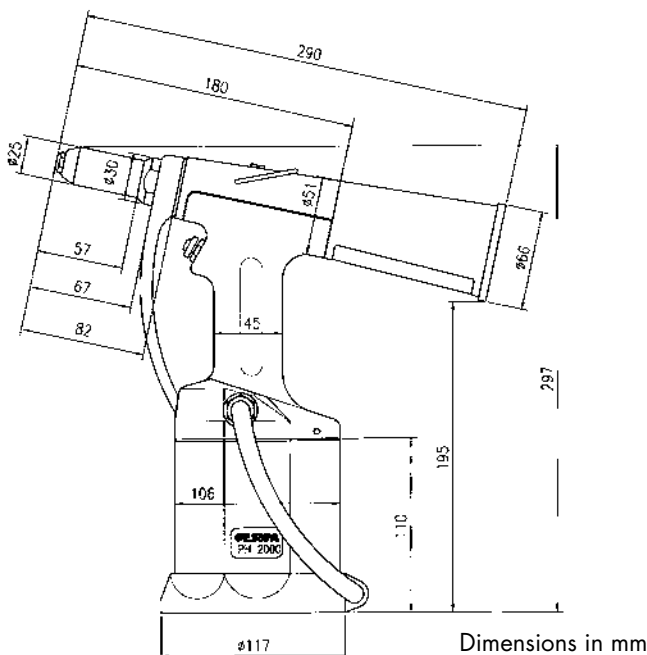
Blind rivets up to \varnothing 5.0 mm all materials, \varnothing 6.0 mm aluminium and blind rivets with \varnothing 2.4 mm up to 3.2 mm with small jaw assembly (page 155).

Technical data

| | |
|-------------------------|---|
| Weight: | 2.1 kg |
| Operating air pressure: | 6 bar |
| Air hose connection: | 6 mm \varnothing (1/4") |
| Air consumption: | 2.8-3.6 ltr. per rivet (0.6 ltr. compr. air) |
| Traction power: | 12,000 N at 6 bar |
| Stroke: | 22 mm |

Equipment

Nosepieces: 16/24, 16/27, 16/29, 16/32, 16/36, 16/40 and 16/45
1 set of jaws, 1 air deflector (no. 896)
1 wrench MSU
1 ball headed screw driver SW 2.5
1 oil refill can with hydraulic oil
Maintenance instructions with spare parts list



Features

- The patented broken mandrel disposal system with the extraction option is an integral part of the tool. No retrofitting required.
- The compressed air used for the setting process is then used to automatically eject the broken mandrel, an efficient and cost saving solution.
- High setting force with low weight
- Universal use, easy handling
- Large stroke (22 mm) – guarantees setting without re-engagement and increases the oil refilling intervals
- Pneumatic piston return – high working sequence
- Hydraulic head: Aluminium with wear-proof cylinder surface
- Pneumatic cylinder: Aluminium with impact-resistant plastic sheath
- Trigger valve: Direct pneumatic triggering – fast and functionally reliable

PH 2-VK

Hydro-pneumatic blind rivet setting tool

Part no. 145 6774

VK: Shorter version of the pistol head for difficult to access rivets

Working range

Blind rivets up to 4 mm Ø alu, steel and copper

Technical data

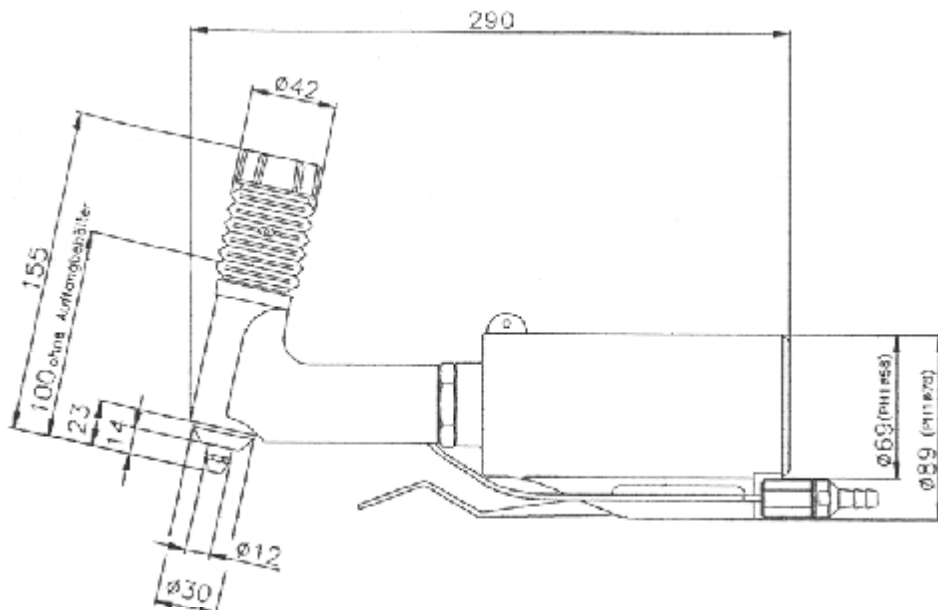
| | |
|-------------------------|---|
| Weight: | 1.3 kg |
| Operating air pressure: | 5 - 7 bar |
| Air hose connection: | 6 mm Ø (1/4") |
| Air consumption: | 1.2-1.8 ltr. per rivet (0.3 ltr. compr. air) |
| Traction power: | 6,200 N at 6 bar |
| Stroke: | 14 mm |

Equipment

Nosepieces: 10/18, 10/24 and 10/27
1 spent mandrel bottle,
1 maintenance wrench of MSU and MSZ,
maintenance instructions with spare parts list

Jaws (2 parts) for PH 2-VK

Part no. 143 4071



Further info



Page 14

PH Axial

Hydro-pneumatic blind rivet setting tool

Part no. 145 8063

Working range

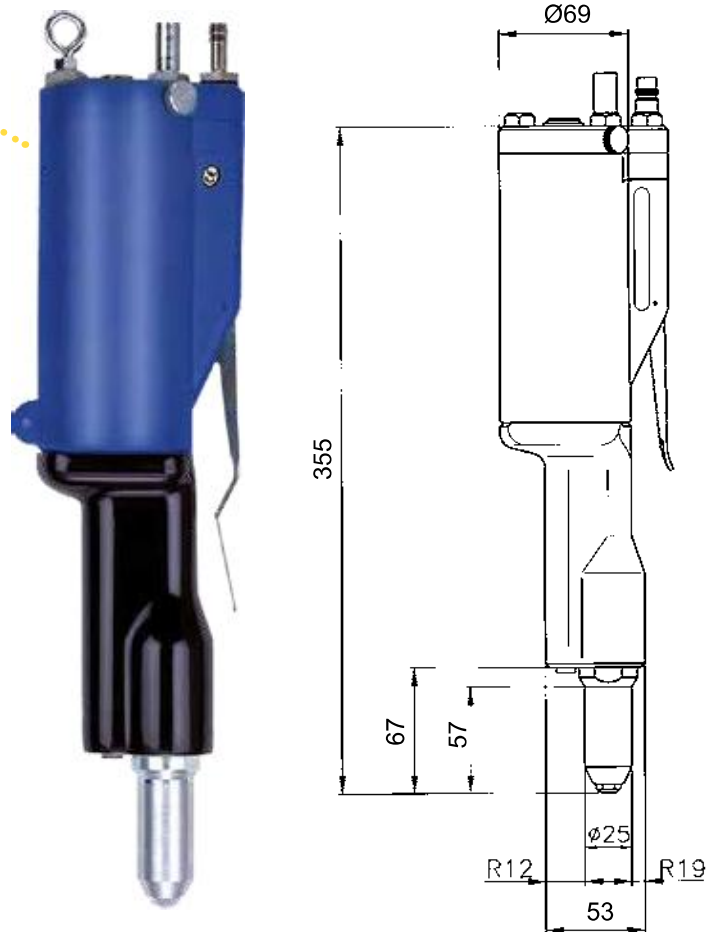
Blind rivets from 4 up to 5 mm Ø steel and 2.4 up to 3.2 mm Ø with small jaw assembly (page 155).

Technical data

| | |
|-------------------------|---|
| Weight: | 1.8 kg |
| Operating air pressure: | 5 - 7 bar |
| Air hose connection: | 6 mm Ø (1/4") |
| Air consumption: | 1.2-1.8 ltr. per rivet (0.3 ltr. compr. air) |
| Traction power: | 8,800 N at 6 bar |
| Stroke: | 15 mm |

Equipment

Nosepieces: 16/24, 16/27, 16/29 and 16/32
Jaw pusher with reducing tube no.125 for 4 mm Ø blind rivets in alu and copper
Ejection tube with socket for spent mandrels
Maintenance instructions and spare parts list



Dimensions in mm

Jaws (3 parts) for PH Axial

Part no. 143 4103

Features

- Pneumatic cylinder and hydraulic head with jaw mechanism arranged axially behind each other: simple and easy handling when used vertically (e.g. desktop assembly points)
- Integrated blind rivet suction and rivet mandrel ejection system: does not need to be retrofitted, secure disposal of the spent mandrels in a central container via a hose
- Hydraulic head in aluminium with wear-proof cylinder surface
- Pneumatic cylinder made of die cast aluminium
- Working piston made of hardened and hard chromium plated steel make the device easy to handle and wear-proof
- Compact seals are wear-proof with large scraper effect, long service life
- Fast venting system: faster return; high work sequence
- Low-noise pneumatic switching
- Simple valve structure: interruption free