

PowerBird® Pro Gold Edition

PowerBird® Pro Gold Edition – Battery riveting tool with 20 kN setting force and 18 V DC brushless motor

NEW

PowerBird® Pro Gold edition – Even more powerful

The PowerBird® Pro Gold Edition is even more powerful. Thanks to the brushless motor generating a setting force of 20,000 N, it is even able to set G-Bulb® and PolyGrip® blind rivets up to Ø 6.4 mm, all materials.

Even faster, almost no wear

Because brushes that are susceptible to wear are no longer used, the motor of the PowerBird® Pro Gold Edition has an extremely long service life with almost no wear. The brushless motor cares for the highest setting rate.

Even more ergonomic

The unparalleled ergonomomy of the tried-and-tested TAURUS®-series is now also available on the PowerBird® Pro Gold Edition, guaranteeing fatigue-free work.

The all-rounder

Blind rivets from Ø 4.8 mm steel to Ø 6.4 mm, all materials, up to Ø 8 mm in aluminium. BULB-TITE® blind rivets up to Ø 7.7 mm, all materials. MEGA GRIP® blind rivets up to Ø 6.4 mm, all materials.

Advantages

- More powerful and longer-lasting **BLDC-motor** for quick workflow
- **25 mm stroke** for long blind rivets
- **20 kN setting force** for particularly strong blind rivets
- Variable **lighting** in the adjusting ring
- Increased **stability due** to larger, non-slip footprint and lower centre of gravity
- Easy-to-grasp housing thanks to **softgrip**
- New **slide-in battery** with reliable charge indication
- Charging unit with **quick-charge function**
- Some well proven jaw mechanism as for the GESIPA® TAURUS®-series



PowerBird® Pro Gold Edition
with a sliding battery 18 V/2.1 Ah
and a charging unit with plastic case

Part no. 730 0002



Jaws (3 pieces) for PowerBird® Pro Gold Edition

Part no. 756 1172



GESIPA Blindniettechnik GmbH
Nordendstraße 13-39
64546 Mörfelden-Walldorf
Germany

T +49 (0) 6105 962 0
F+49 (0) 6105 962 287
info@gesipa.com
www.gesipa.com

A company of the **SFS** group

GESIPA®

PowerBird® Pro Gold Edition

Characteristics

1. Lighting

The light-emitting diodes precisely aligned towards the work piece are integrated into the adjusting ring. There are three possible switch positions:

1. Process-controlled: The diodes remain illuminated after the setting process, which allows a continuous workflow even in bad lighting conditions.

2. Torch function: The diodes remain lit for 10 minutes.

3. Lighting off, saves electricity.

2. Slide-in battery

New battery with exact optical and acoustic charging status display prevents unpleasant surprises. The deep sleep function and the electrical feedback of the braking energy extend the battery range – a battery charge lasts for up to 2,000 riveting operations. Additional catching grids prevent falling in case of uncomplete locking.

3. Charging unit

Charging unit with quick-charge function. The battery can be used again after only 45 minutes of charging, and is fully charged after just 90 minutes.



Technical data

Setting force: 20,000 N
 Weight: 2.0 kg incl. battery
 Drive: 18 V DC Brushless DC motor (BLDC)
 Stroke: 25 mm

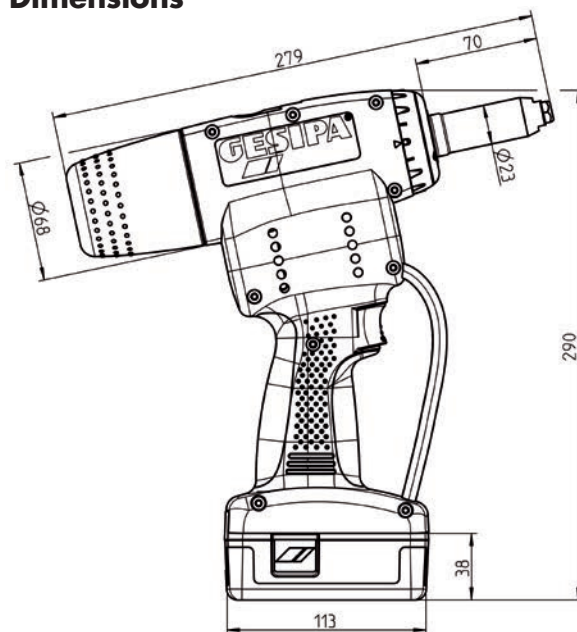
Sliding battery

Nominal voltage: 18 V DC
 Number of cells: 5
 Battery type: Li-Ion
 Weight: 0,4 kg
Part no. 730 1007

Charging unit

Input voltage: 100 - 240 V / 50 - 60 Hz
 Output voltage: 21 V DC
 Charging time: 45 to 90 minutes
 (depending on the battery)
 Weight: 0,6 kg
Part no. 730 1008

Dimensions



Nosepiece assignment

Rivet Ø	Rivet material	Nosepiece	Part no.
4,8 und 5,0	Steel, Alu	17/32	725 2067
4,8 und 5,0	Stainless Steel	17/36	725 2083
6,0	Alu	17/36	725 2083
6,0	Steel	17/40	725 2560
6,4	Alu, PG-Alu	17/45	724 3065
6,4	Steel	17/45	724 3065
8	Alu	17/45	724 3065

BULB-TITE® blind rivet

4,0	Alu	17/26 BT*	725 2202
5,2	Alu	17/32 BT*	725 2210
6,3	Alu	17/42 BT*	725 2229
6,3	Steel	17/42 BT*	725 2229
6,3	Monel	17/42 BT*	725 2229
7,7	Alu	17/48 BT*	725 2237
		and jaws	715 1527

MEGA GRIP® blind rivet

4,8	Alu	17/31 MG*	725 2250
6,4	Alu	17/41 MG*	724 3146
4,8	Steel	17/31 MG*	725 2250
6,4	Steel	17/41 MG*	724 3146
4,8	Stainless Steel	17/31 MG*	725 2250
6,4	Stainless Steel	17/41 MG*	724 3146

GESIPA Blindniettechnik GmbH
 Nordendstraße 13-39
 64546 Mörfelden-Walldorf
 Germany

T +49 (0) 6105 962 0
 F+49 (0) 6105 962 287
 info@gesipa.com
 www.gesipa.com