

# AccuBird® Pro

**AccuBird® Pro – The newest generation of battery powered riveting tools. Up to 4-times faster than any other riveting tool on the market!**

**NEW**

## AccuBird® Pro

With the brushless motor and the setting force of 10.000 N the AccuBird® Pro is extremely fast and able to set blind rivets up to Ø 5 mm, all materials.

## Extremely fast, almost no wear

The brushless motor of the AccuBird® Pro has a very long life duration, with almost no wear or friction. Compared with other battery riveting tools the setting process is up to 4-times faster and competes in speed with pneumatic hydraulic blind rivet setting tools. The optional auto-stop and auto-reverse functions also contribute to shorten the setting cycle and immediately re-arm the tool for the next cycle.

## Even more ergonomic

The tilted tool head and large softgrip surfaces of the tried and tested TAURUS® series are now also available on the AccuBird® Pro, guaranteeing fatigue-free work.

## The all-rounder

Blind rivets from Ø 2,4 mm aluminium up to Ø 5 mm of all materials and blind rivets up to Ø 6 mm aluminium. BULB-TITE®-blind rivets from Ø 4 mm; 5,2 mm aluminium and steel. G-Bulb blind rivets up to Ø 4,8 mm all materials.

## Advantages

- More powerful and longer-lasting **BLDC motor** for fast workflow
- **25 mm stroke** for long blind rivets
- **10 kN setting force**
- **Variable lighting** in the adjustable bezel
- **Increased stability due to larger**, non-slip stand surface and lower centre of gravity
- Easy-to-grasp housing thanks to **Softgrip**
- New **slide-in battery with reliable charge level display**
- Charging unit with **quick-charge function**
- Same well proven **jaw mechanism** as the TAURUS® series



AccuBird® Pro in plastic carrying case incl. 18 Volt/2,1 Ah slide-in battery and quick charger

**Part no. 732 0001**



Jaws (3 parts) for AccuBird® Pro

**Part no. 756 1172**

GESIPA Blindniettechnik GmbH  
Nordendstraße 13-39  
64546 Mörfelden-Walldorf  
Germany

T +49 (0) 6105 962 0  
F+49 (0) 6105 962 287  
info@gesipa.com  
www.gesipa.com

A company of the **SFS** group

**GESIPA®**

# AccuBird® Pro

## Characteristics

### 1. Auto-stop and auto-reverse functions

this optional mode of operation stops the pulling movement right after the mandrel rupture and drives the pulling mechanism back into readiness position. This saves time, energy and allow to initiate the next working cycle without any delay.

### 2. Lighting

The light-emitting diodes precisely aligned to the work piece are integrated into the adjustable bezel. There are three possible switch positions:

**Process-controlled:** The diodes remain illuminated after the setting process, which allows a continuous workflow even in bad lighting conditions.

**Torch function:** The diodes remain lit continuously for 10 minutes.

**Lighting off:** saves energy.

### 3. Slide-in battery

New slide-in battery with exact optical and acoustic charging status display prevents unpleasant surprises. The deep sleep function and the electrical feedback of the braking energy extend the battery range – a battery charge lasts for up to 2,000 riveting operations. Additional catching grids prevent falling.

### 4. Charging unit

Charging unit with quick-charge function. The battery can be used again after only 45 minutes of charging, and is fully charged after just 90 minutes.



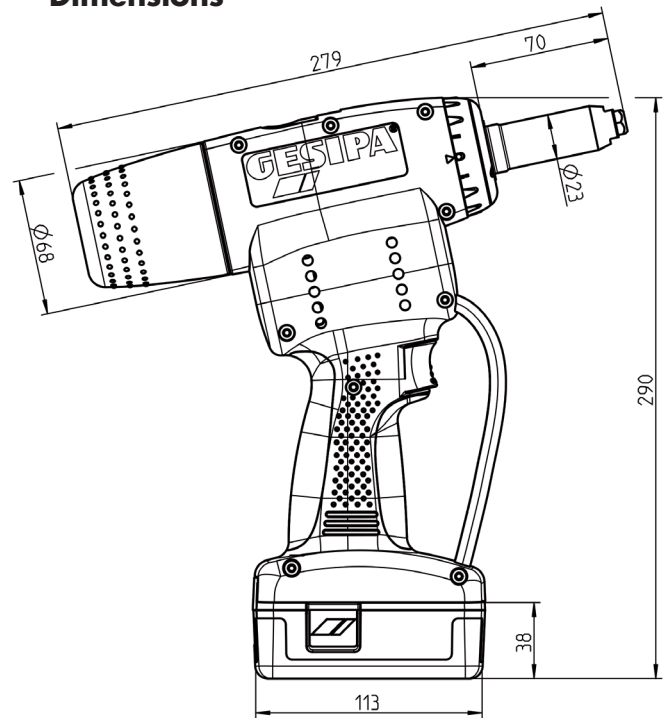
### Slide-in battery

Operating voltage: 18 V DC  
Capacity: 2,1 Ah  
Number of cells: 5  
Cell type: Li-Ion  
Weight: 0,4 kg  
**Part no. 730 1007**

### Charging unit

Primary voltage: 100 - 240 V / 50 - 60 Hz  
Charging voltage: 21 V DC  
Charging time: 45 to 90 Minutes  
Weight: 0,6 kg  
**Part no. 730 1008**

## Dimensions



## Technical Data AccuBird® Pro

Setting force: 10.000 N  
Weight: 2,0 kg incl. battery  
Drive: Brushless DC motor (BLDC)  
Stroke: 25 mm

## Nosepiece assignment

Rivet Ø	Rivet material	Nosepiece	Part no.
2,4	Alu	17/18*	<b>725 2075</b>
3,2	CAP-Alu, CAP-CU	17/18*	<b>725 2075</b>
3 und 3,2	Alu, Steel, Stainless steel	17/24*	<b>725 1583</b>
4	Alu	17/24*	<b>725 1583</b>
4	Steel	17/27*	<b>725 2040</b>
4	Stainless steel	17/29*	<b>725 2059</b>
4,8 and 5,0	Alu	17/32	<b>725 2067</b>
4,8 and 5,0	Stainless steel	17/36	<b>725 2083</b>
4,8 and 5,0	Steel	17/32	<b>725 2067</b>
6,0	Alu	17/36	<b>725 2083</b>

### BULB-TITE® blind rivet

4,0	Alu	17/26 BT*	<b>725 2202</b>
5,2	Alu	17/32 BT*	<b>725 2210</b>

\*Available as special accessory. Special nosepieces available on request.  
The specifications concerning nosepiece assignment apply to DIN and GESIPA® blind rivets.

GESIPA Blindniettechnik GmbH  
Nordendstraße 13-39  
64546 Mörfelden-Walldorf  
Germany

T +49 (0) 6105 962 0  
F+49 (0) 6105 962 287  
info@gesipa.com  
www.gesipa.com